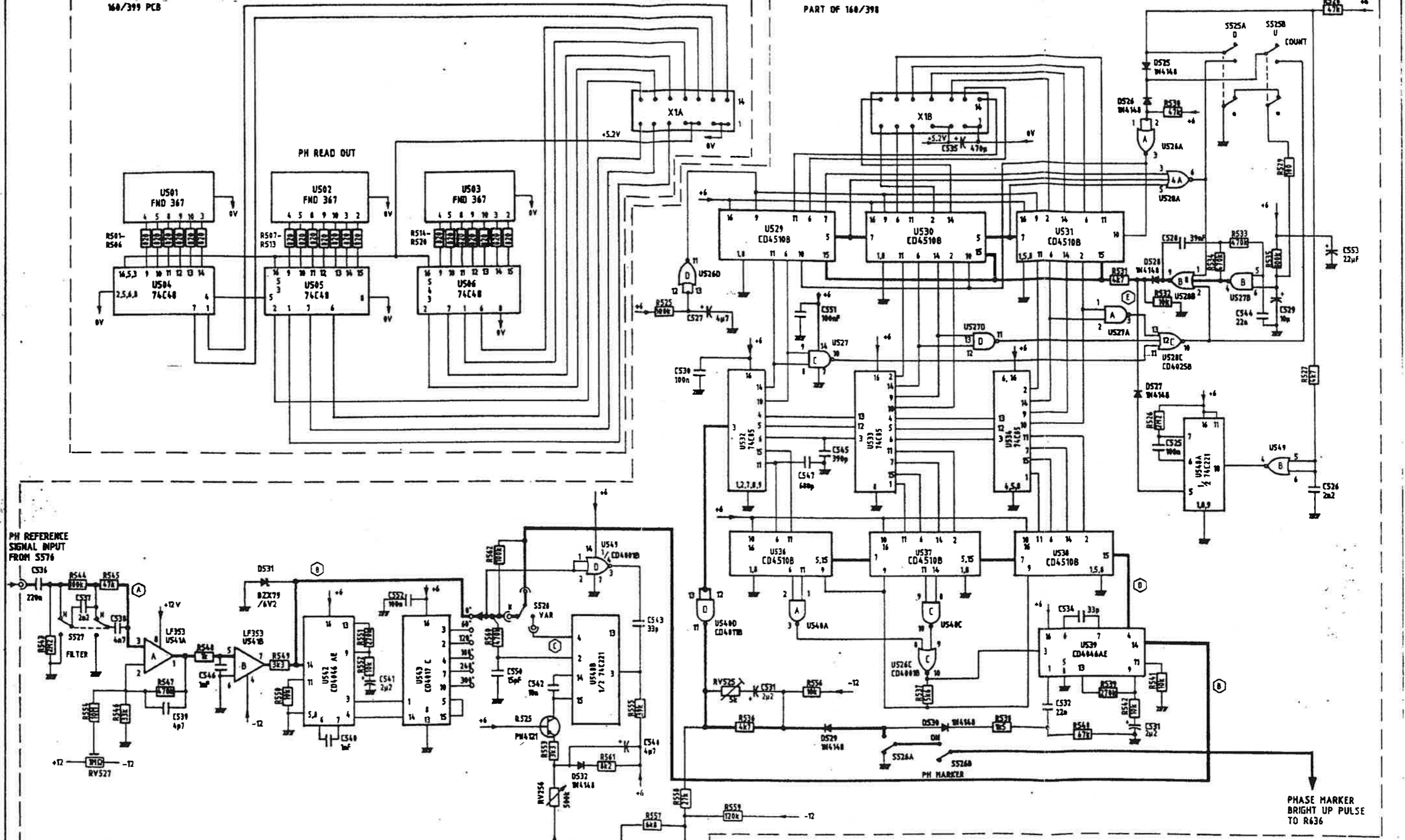
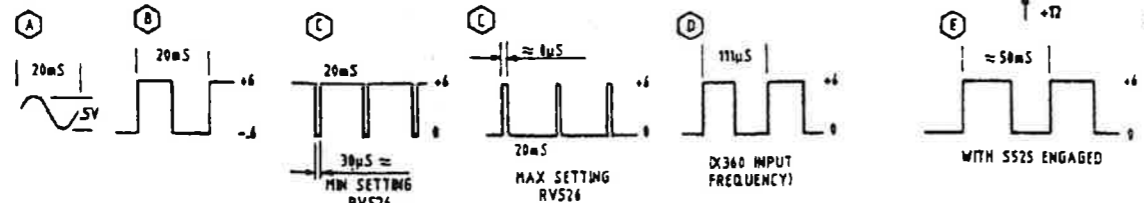


168/399 PCB

PART OF 168/398



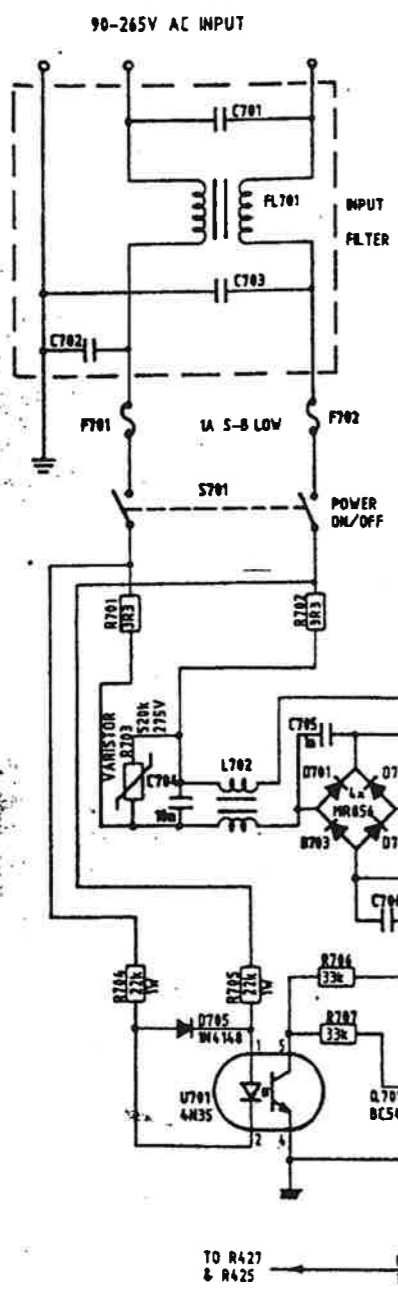
PH REFERENCE SIGNAL INPUT FROM SS76



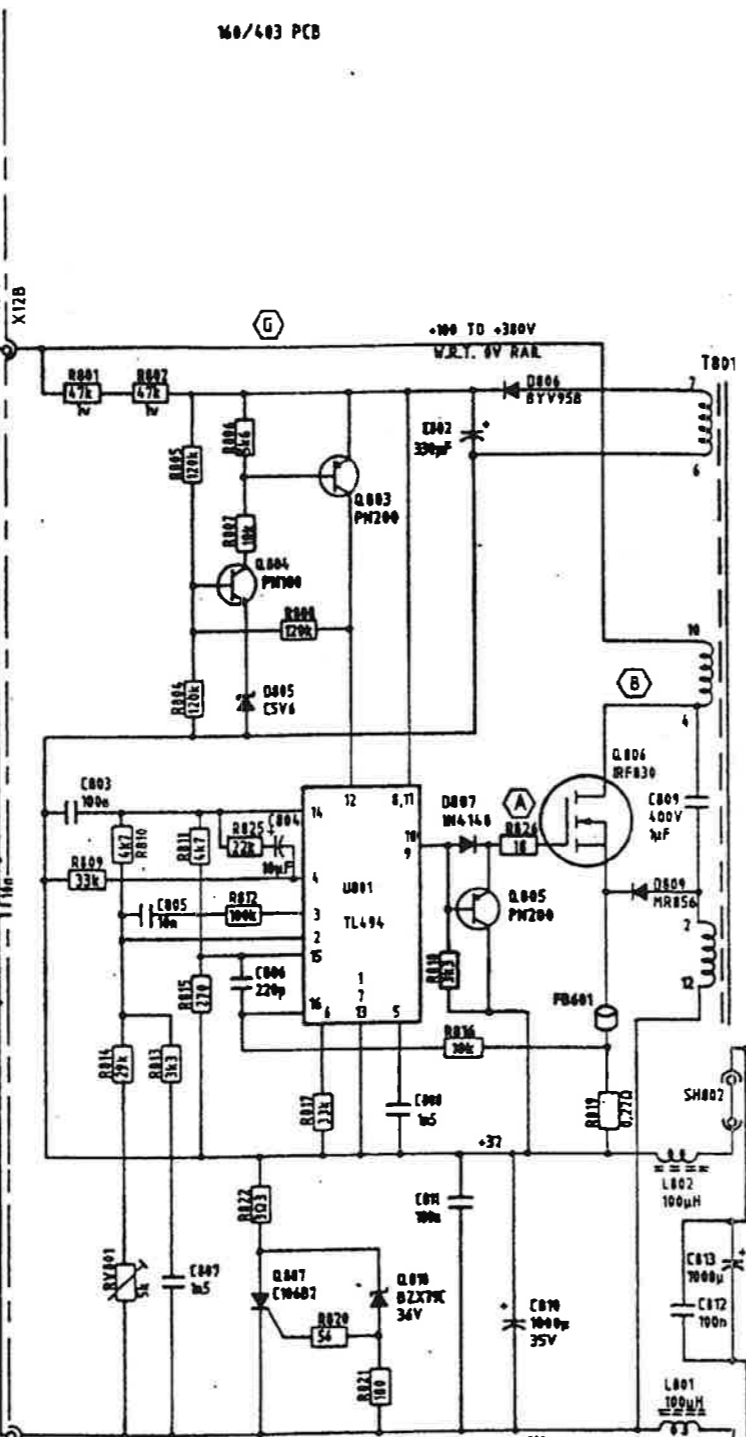
PHASE MARKER TRIGGER PULSE TO PIN 9 OF U601

PHASE MARKER BRIGHT UP PULSE TO R636

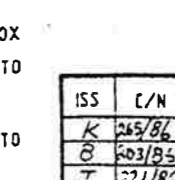
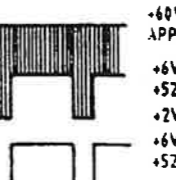
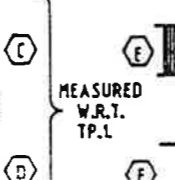
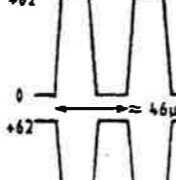
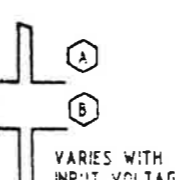
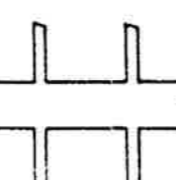
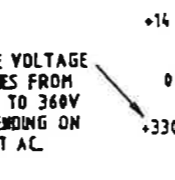
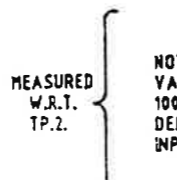
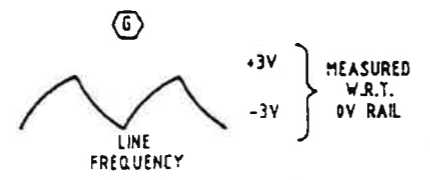
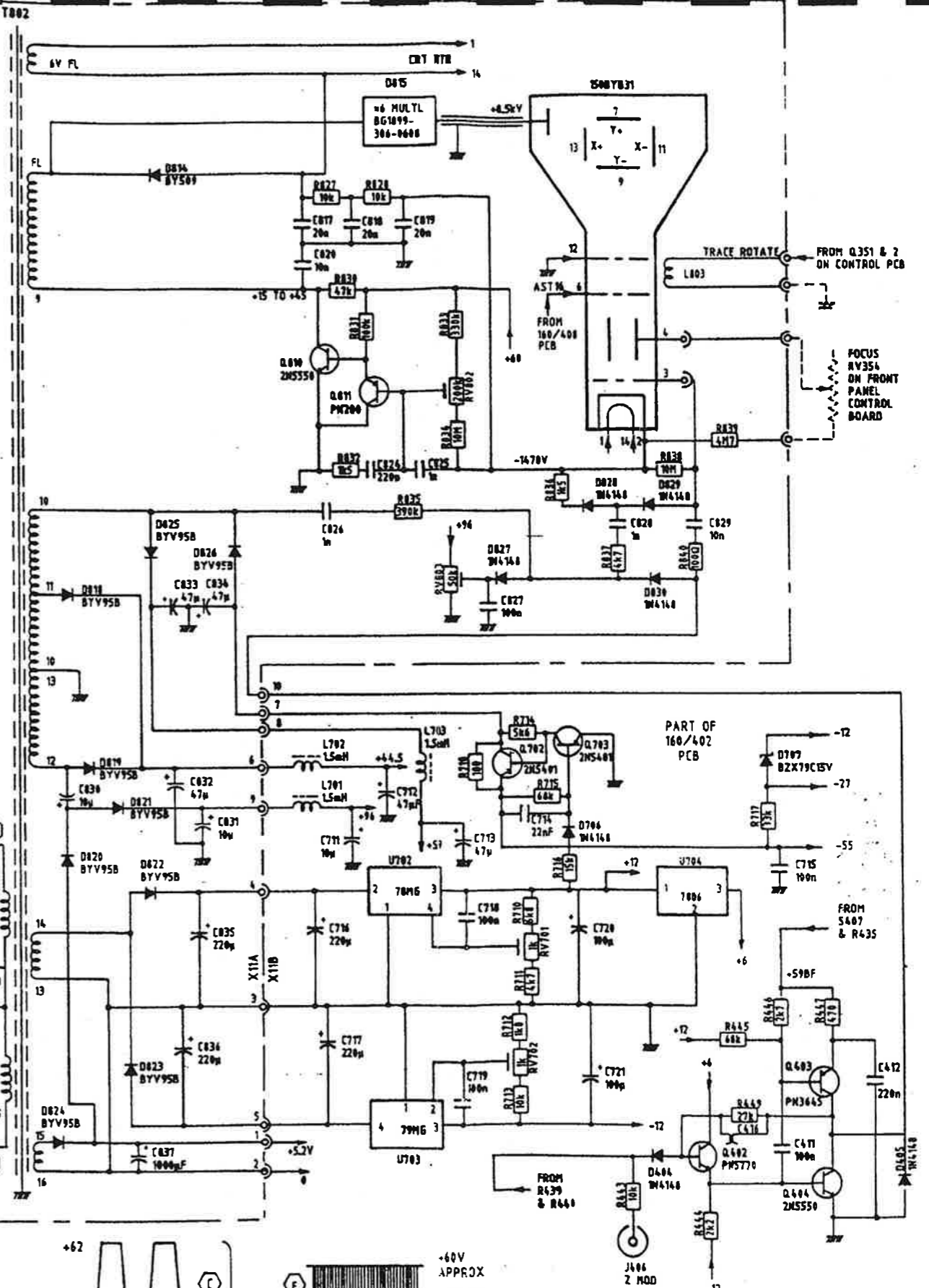
ISS	C/N	DATE	© COPYRIGHT 1981 BWD INSTRUMENTS P/L	BWD INSTRUMENTS PTY. LTD. MELBOURNE AUSTRALIA	
1		4/11/85		TITLE:	CIRCUIT DIAGRAM - PHASE MARKER 881 OSCILLOSCOPE
2	125/86	15/5/85	SCALE :		
C	168/84	24/6/86	TOL. : 0.2mm unless specified.	DRAWN	CHECKED
D	212/86	13/8/86		APP'D	DRG. No: 2175
E	237/84	15-9-86			SHT OF
F	225/85	18-11-86			OF



PART OF 160/402 PCB

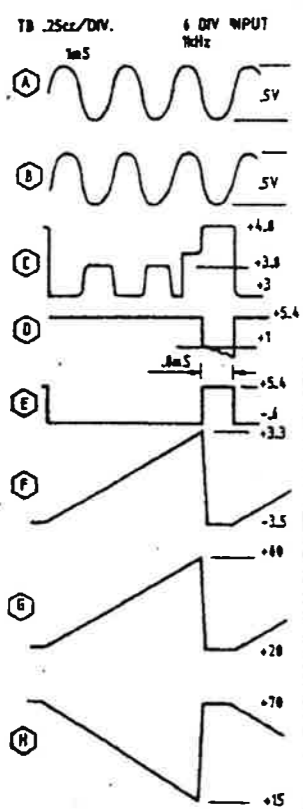
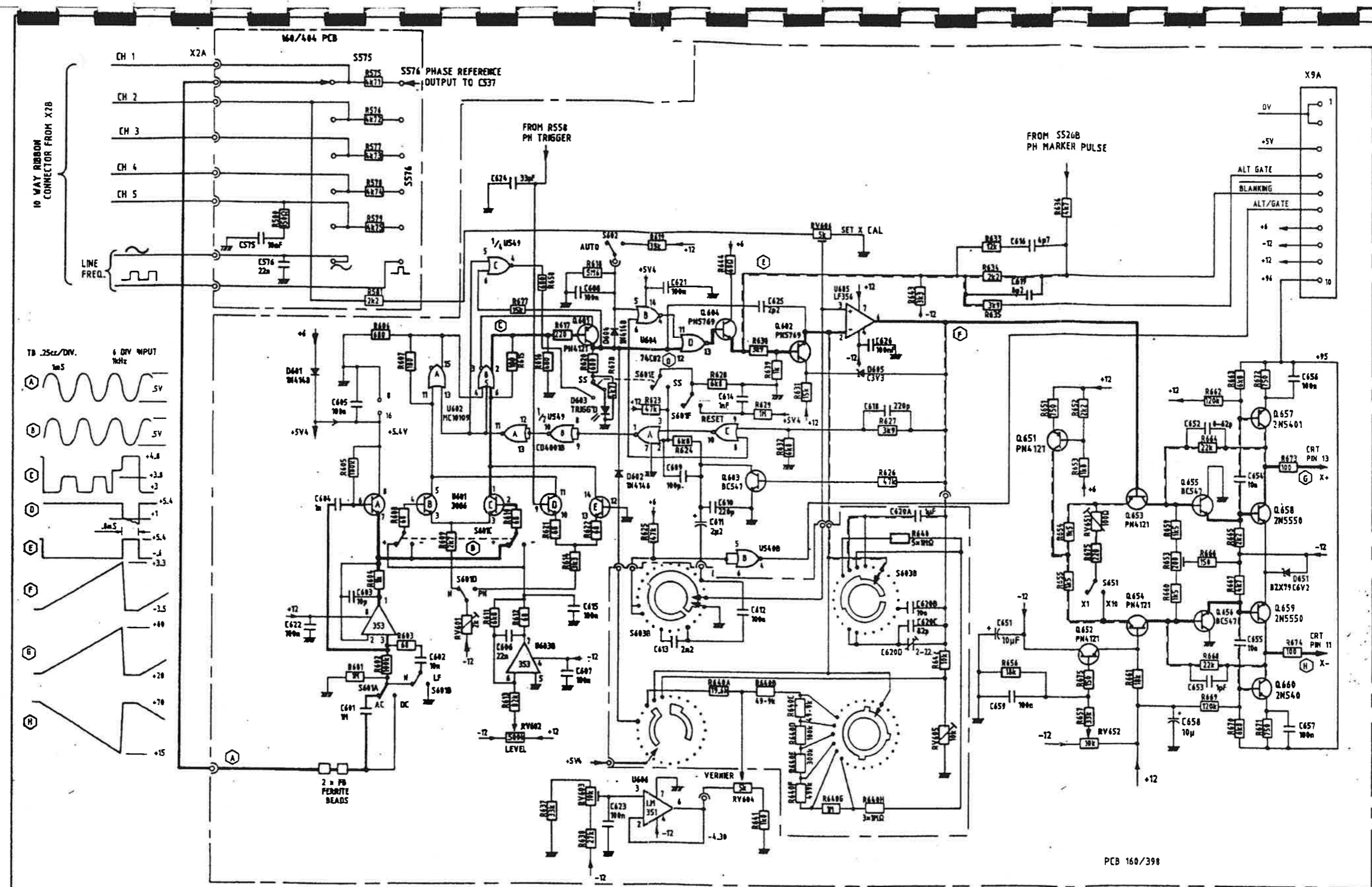


WARNING
THIS CIRCUIT IS CONNECTED DIRECTLY TO THE AC POWER LINE - DO NOT TEST CIRCUIT WITH GROUNDED MEASURING INSTRUMENTS.

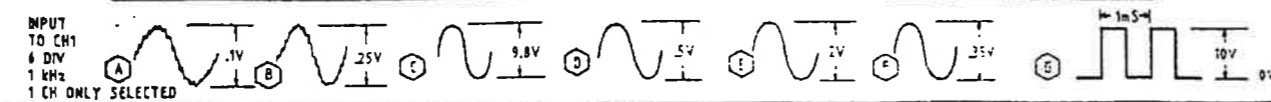
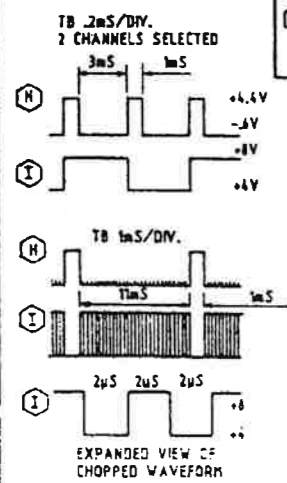
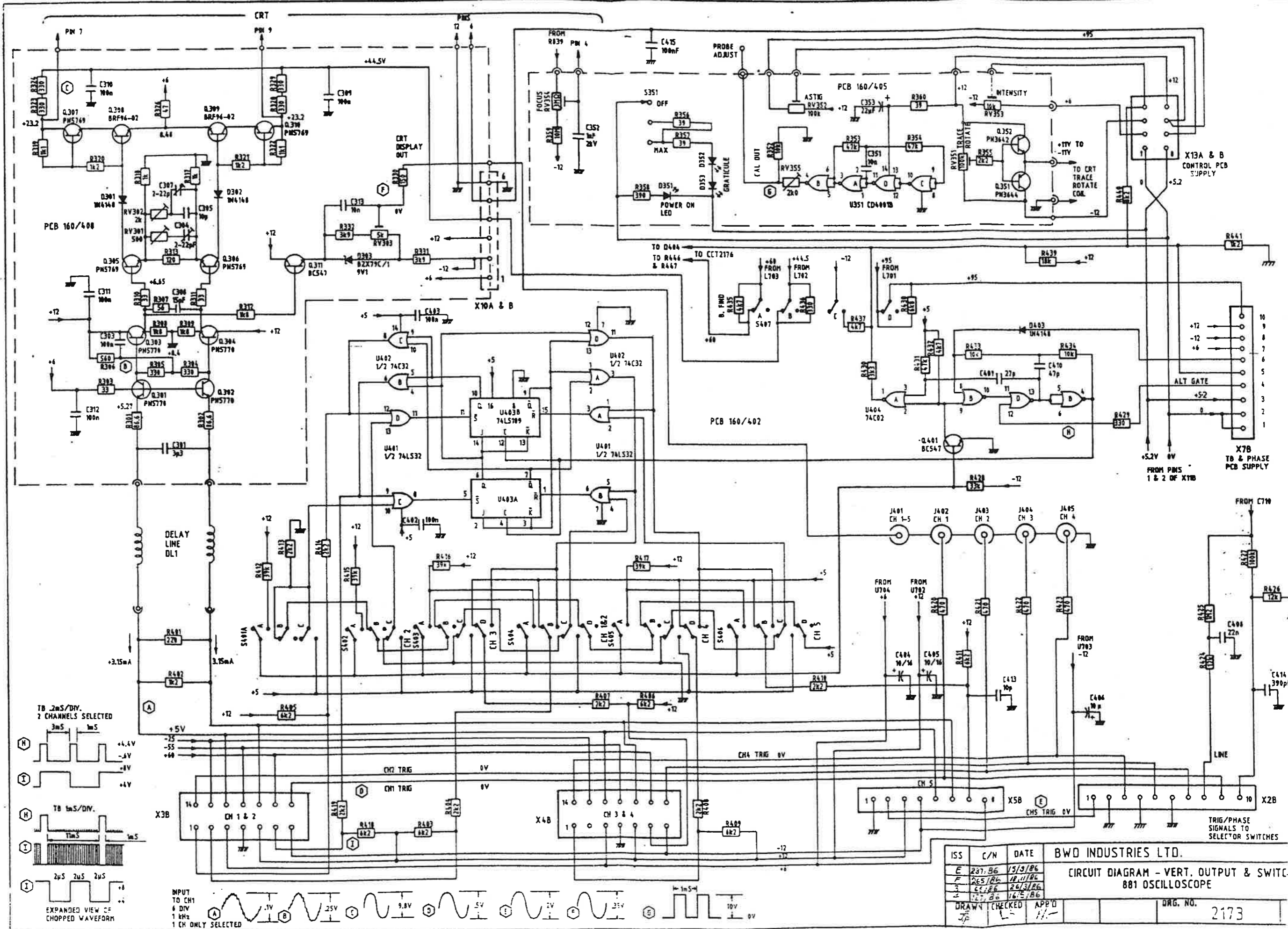


NOTE VOLTAGE VARIES FROM 100V TO 360V DEPENDING ON INPUT AC.

ISS	C/N	DATE	BWD INDUSTRIES LTD.
K	245/86	15/11/85	CIRCUIT DIAGRAM - POWER SUPPLIES 801 OSCILLOSCOPE
B	203/85	13/17/86	
J	221/86	12/16/86	
DRAWN	CHECKED	APP'D	DRG. NO. 2176

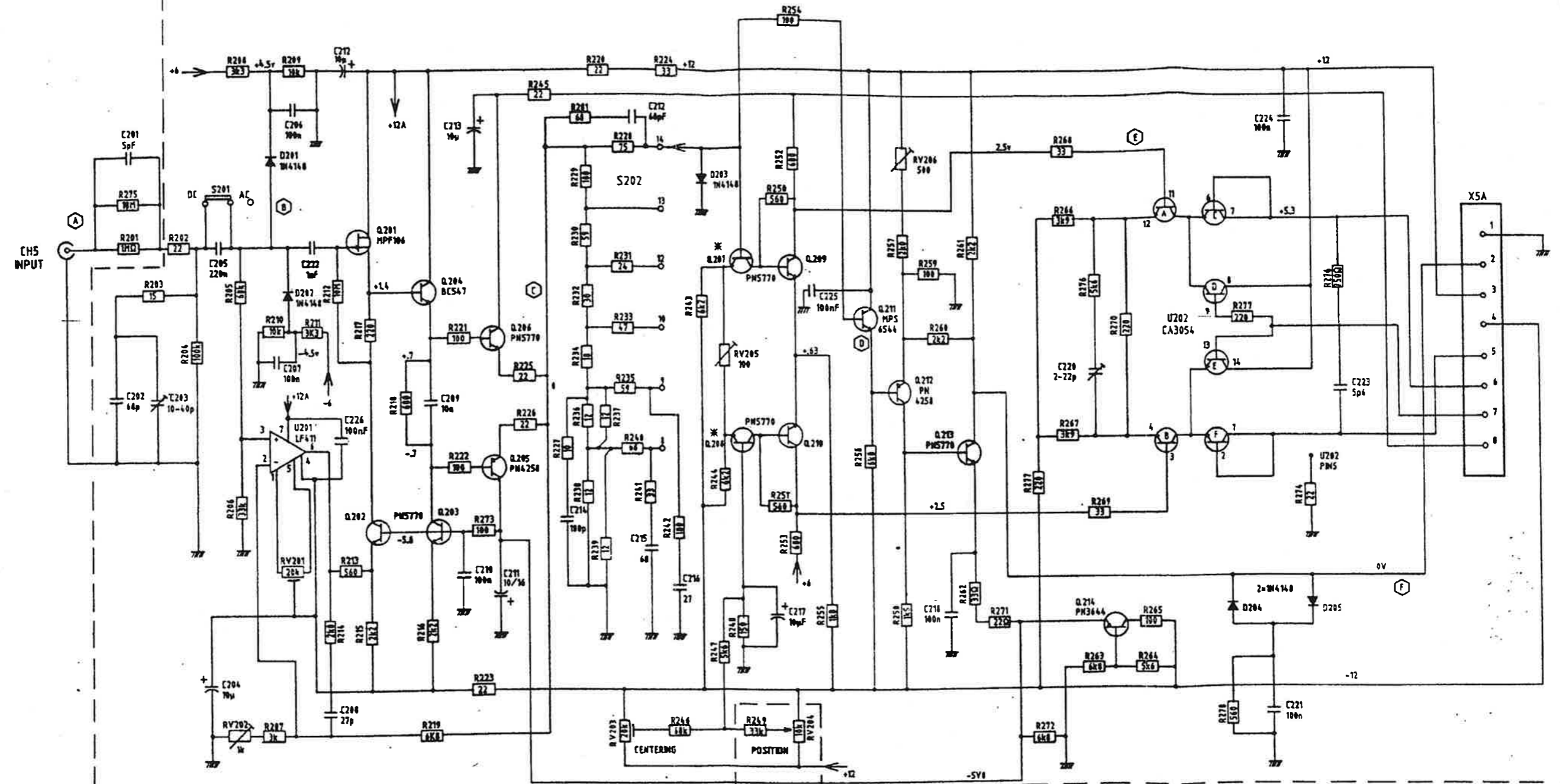


ISS	C/N	DATE	© COPYRIGHT 1981	BWD INSTRUMENTS PTY. LTD.		MELBOURNE AUSTRALIA
1		30/10/85	BWD INSTRUMENTS P/L	TITLE: CIRCUIT DIAGRAM - TIME BASE		
2	44/86	27/2/86		881 OSCILLOSCOPE		
3	79/86	15/4/86	SCALE :			
4	125/86	15-5-86	TOL. : 0.2mm unless specified.	DRAWN	CHECKED	APP'D
5	265/86	12-11-86		JF		DRG. No: 2774
						SHT OF



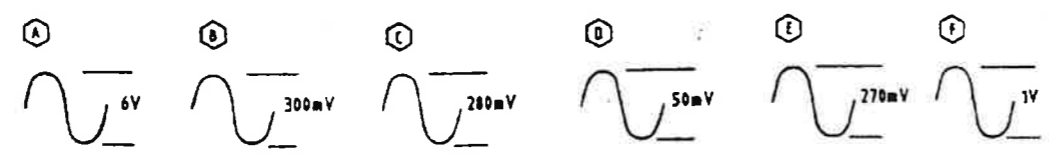
ISS	C/N	DATE	BWD INDUSTRIES LTD.	
E	287/B6	15/3/86	CIRCUIT DIAGRAM - VERT. OUTPUT & SWITC 881 OSCILLOSCOPE	
F	285/R6	18/11/86		
3	CC/B6	26/3/86		
2	127/B6	16/5/86		
DRAWN		CHECKED	APP'D	DRG. NO.
JP		L	11	2173

160/401 PCB

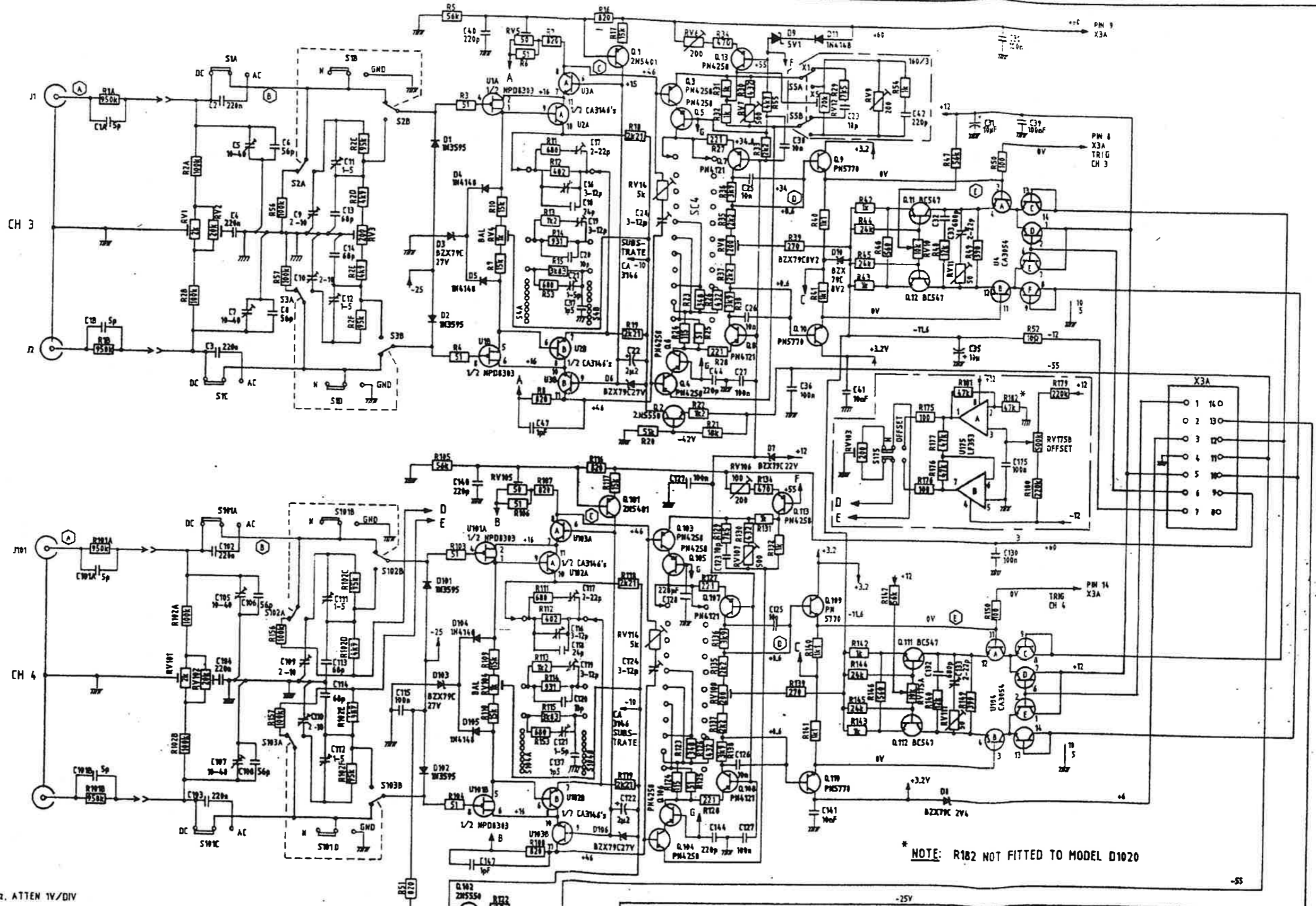


* MATCHED PAIR

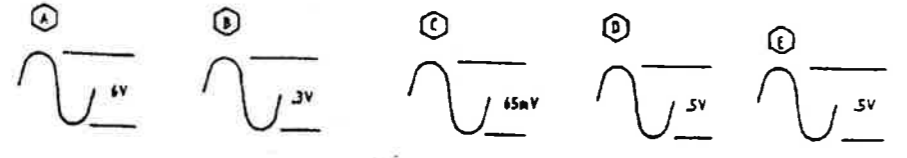
INPUT 6Vp-p 1kHz ATTEN 1V/DIV



ISS	C/N	DATE	© COPYRIGHT 1981	BWD INSTRUMENTS PTY. LTD. MELBOURNE AUSTRALIA	
1		16/9/85	BWD INSTRUMENTS P/L	TITLE: CIRCUIT DIAGRAM - CHANNEL 5	
2	4/86	27/2/86		881 OSCILLOSCOPE	
C	130/86	16-5-86	SCALE :		
D	237/86	15/9/86	TOL. : 0.2mm unless specified.	DRAWN JTP	CHECKED YB
E	248/86	29/9/86		APP'D [Signature]	DRG. No: 2172
					SHT OF



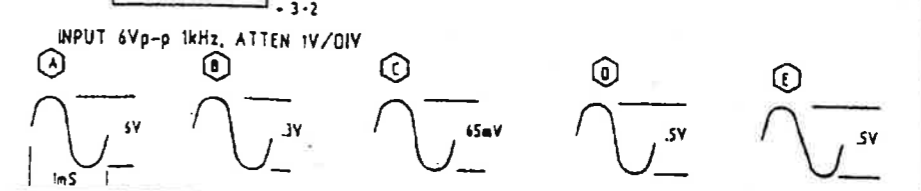
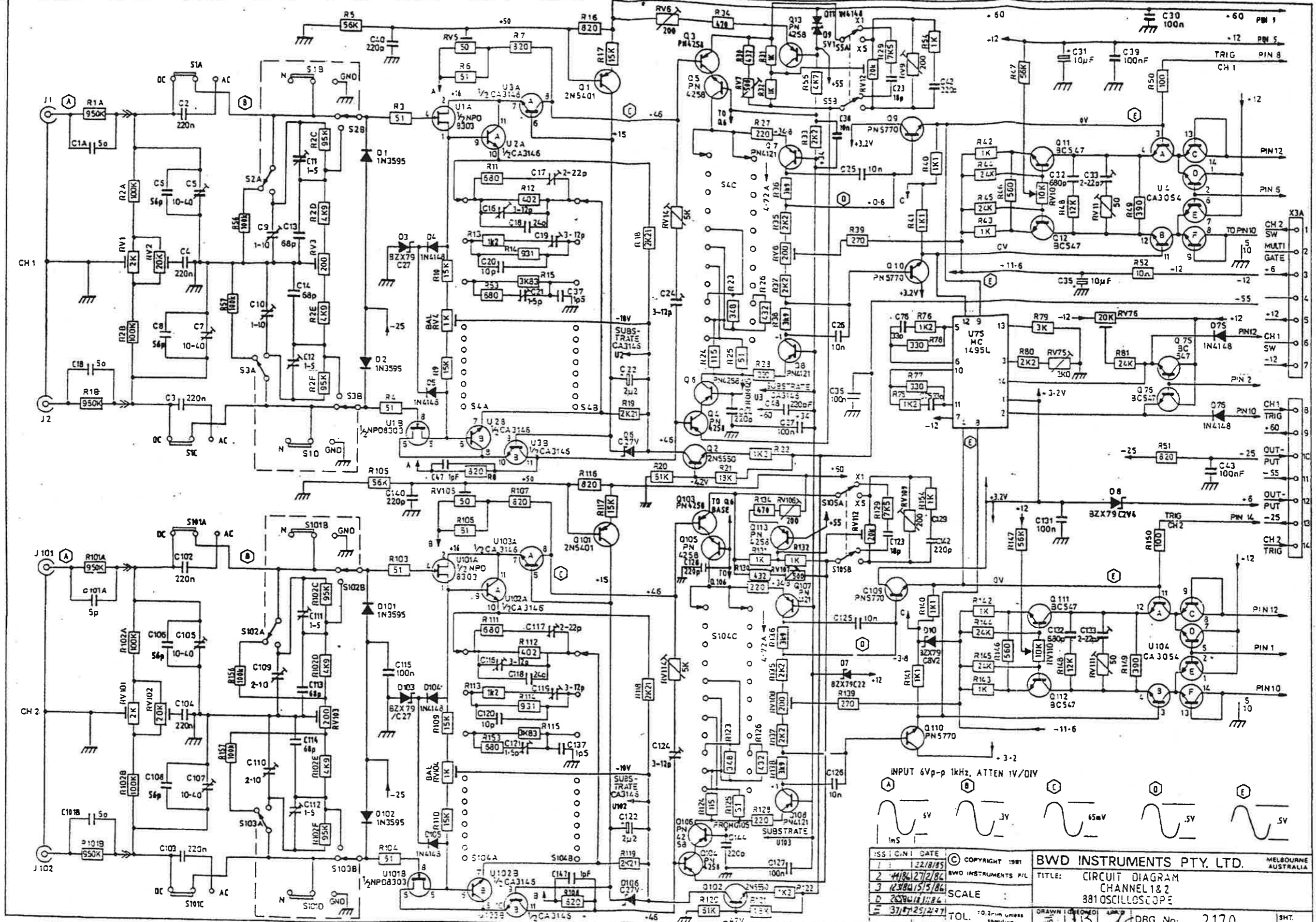
INPUT 6Vp-p 1kHz, ATTN 1V/DIV



ISS	C/N	DATE
G	3787	25-2-87
2	44/86	27-2-86
3	64/86	26-3-86
4	124/86	15-5-86
E	254/86	22/10/86
F	265/86	18-11-86

© COPYRIGHT 1981
 BWD INSTRUMENTS P/L
 SCALE :
 TOL. : 0.2mm unless specified.

BWD INSTRUMENTS PTY. LTD. MELBOURNE AUSTRALIA
 TITLE: **CIRCUIT DIAGRAM - CHANNEL 3 & 4**
881 OSCILLOSCOPE
 DRAWN: JF CHECKED: VB APP'D: [Signature] DRG. No: 2171 SHT. OF



ISS: G.N.I. DATE	1 122/8/85	© COPYRIGHT 1981	BWD INSTRUMENTS PTY. LTD.	MELBOURNE AUSTRALIA
	2 11/8/27/2/84	BWD INSTRUMENTS P/L	TITLE: CIRCUIT DIAGRAM	
	3 12/8/15/5/86		CHANNEL 1 & 2	
	4 26/8/18/11/86		881 OSCILLOSCOPE	
	5 31/12/25/2/77		SCALE	
		TOL: ±0.2mm unless specified	DRAWN (CHECKED)	DRG. No. 2170
				SHT. OF